

Model No.: SDS-P830656  
Product Line: Peerless

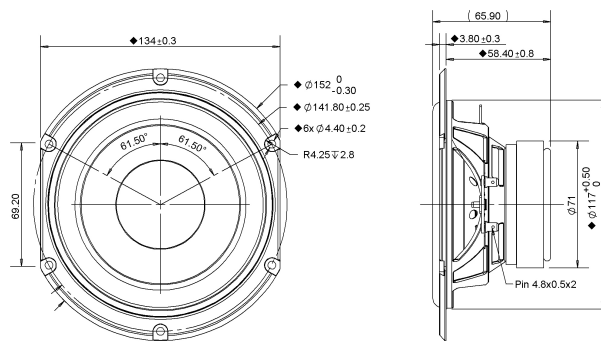
Rev: 1  
Last Update: 2017-03-03 02:00:02

### Product Description

The SDS compact subwoofer family offers low resonant frequency performance, ideally suited for compact sealed enclosures. This 5.25 inch 8 ohm member of the SDS family offer a coated paper cone with rubber surround, a high power voice coil suspended in a ferrite magnet motor, and a narrow-profile steel basket, shaped to fit into narrow cabinets.



### Mechanical Drawing



### Specifications

DC Resistance	Revc	Ohms	6.06	5.0%	Energy Bandwidth Product	EBP	(1/Qes)*fs
Minimum Impedance	Zmin	Ohms	6.54	7.5%	Moving Mass	Mms	g
Voice Coil Inductance	Le	mH	0.37		Suspension Compliance	Cms	um/N
Resonant Frequency	Fs	Hz	57.23	15%	Effective Cone diameter	D	cm
Mechanical Q Factor	Qms		3.6		Effective Piston Area	Sd	cm <sup>2</sup>
Electrical Q Factor	Qes	0.7			Effective Volume	Vas	L
Total Q Factor	Qts	0.59			Motor Force Factor	BL	Tm
Ratio Fs/Qts	F	Fs/Qts	97.33		Motor Efficiency Factor	$\beta$	(T*M <sup>2</sup> )/Ohms
Half Space Sensitivity @2.83V	db@2.83V/1M	dB	85.7	+/- 1.0db	Voice coil former Material	VCfm	ASV
Half Space Sensitivity @1W/1M	db@1W/1M	dB	84.8	+/- 1.0db	Voice coil inner diameter	VCd	mm
Gap Height	Gh	mm	6		Rated Noise Power	P	W
Maximum Linear Excursion	Xmax	mm	3.5		Test Spectrum Bandwidth		50Hz - 5kHz
Ferrofluid Type	FF				Driver Size	Inch	5.25 in
Driver Mass	Kg	0.68					

### Frequency and Impedance Response



Highcharts.com