

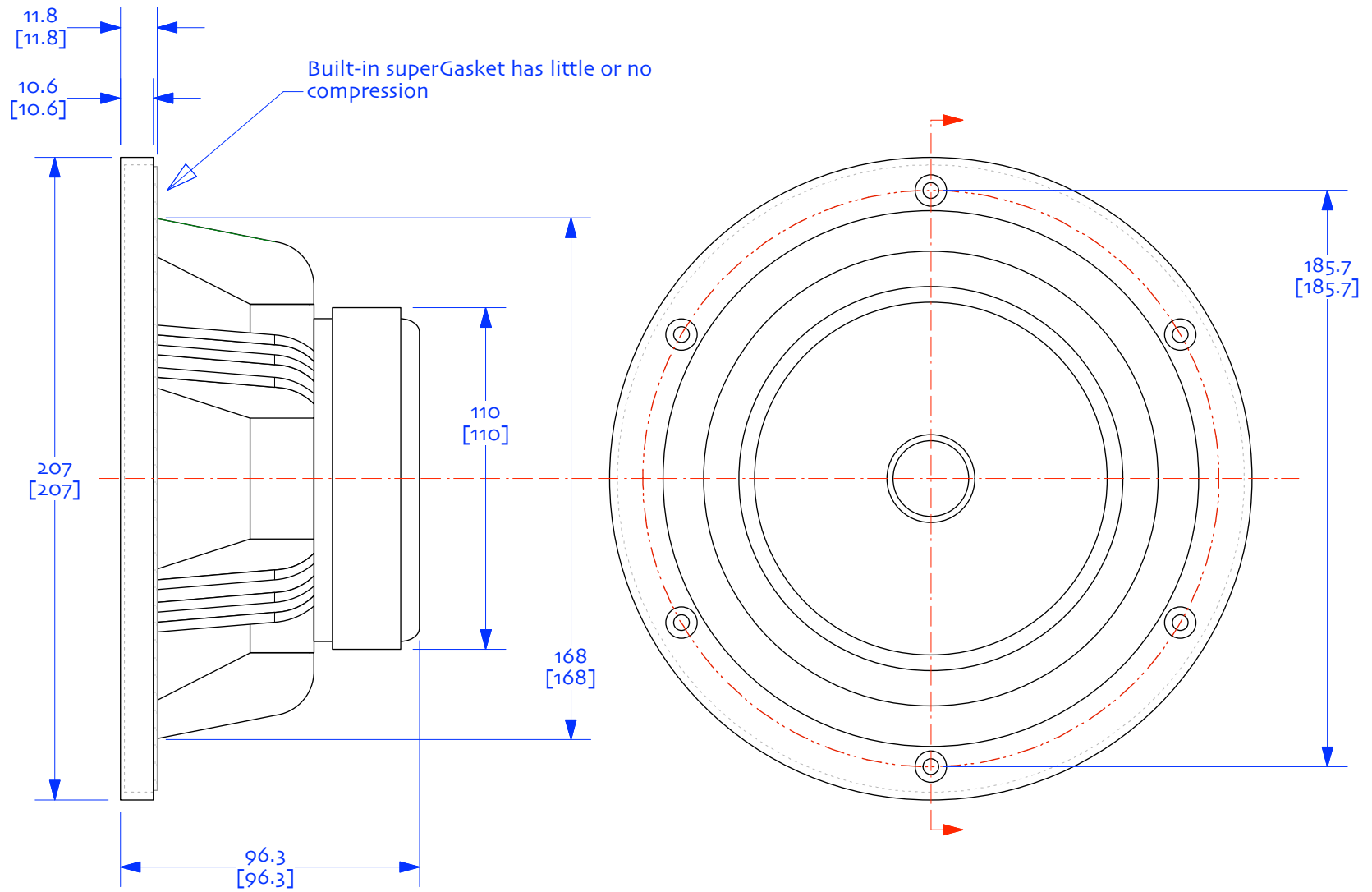
Notes:  
 0/ drawing uses 3/4" (19.1mm) material.  
 Quality multi-ply recommended  
 1/ stuff with 1/2 to 3/4 pound per ft<sup>3</sup> (1.56 to 2.34 pounds = 0.71 - 1.1 kg) of polyfill  
 2/ cleats on back to allow for removable back, useful for adjusting the stuffing  
 3/ bracing is optional, but strongly recommended. For bracing ideas please see the bracing sheet in the original generation 1 superPencil12 plans

Smaller Pencil 12.2p differs only from the SuperPencil in the depth of the box. For Pencil 12.2p put the back here.



Super Pencil & Pencil 12.2p  
 Alpair 12.2p

designed by S Lindgren drawn by dld  
 19-october-2012  
 ©2010-2012 Markaudio All rights reserved  
 NOT for commercial use without prior written approval from Markimage Limited



Alpair 12.2p  
with bezel cover  
driver dimensions  
drawn by dld | | 19-october-2012