

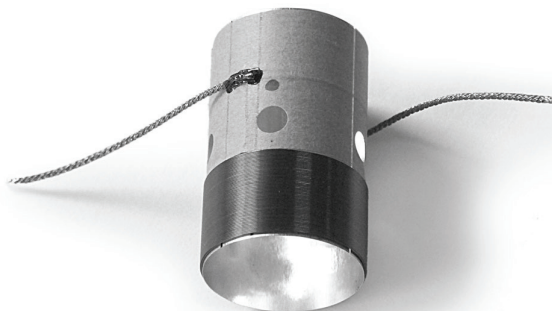
## Alpair 10M Gen.3 Gen. 3 Extended Full-Range emitter Gold cone model



This Alpair 10 Gen.3 is the latest model in a development line designed to extend the performance of mid-sized Markaudio full-range emitters. This generation of Alpair 10 utilises a new ultra thin wall coil. Together with a new modification to its cone, this latest model delivers usable frequency range up to 25-kHz while retaining the “purist” single-cone design,

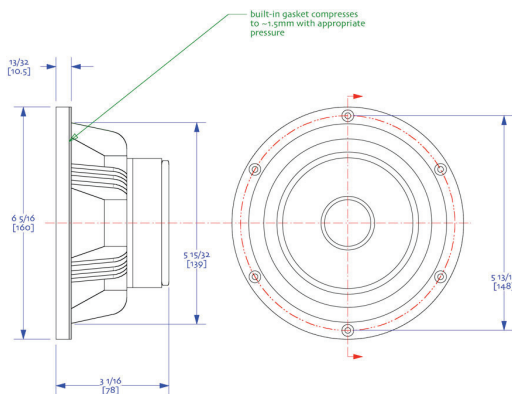
This driver retains the Multi-form cone technology with a new more efficient profile giving improved high range performance. Additional features include an advanced Nomex super-light rear suspension (spider). The Alpair 10's frame is formed from a new mix of polymers, making it 5% stiffer than the old model. The Gen.3 version houses an “Arrestor” in its magnetic motor sub-assembly, helping to avoid damage from over-load situations.

©markaudio-April 2103-Thin bodied coil-Alpair 10 Gen.3

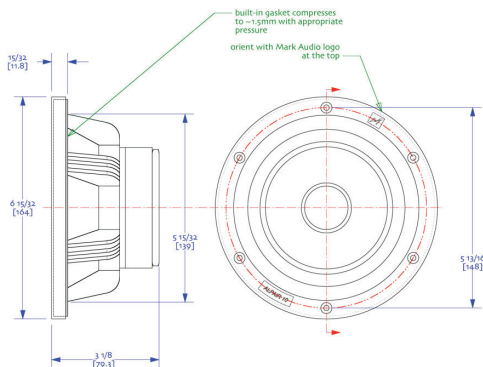




Alpair 10 Gen.3  
 T/S date LMS V4 Anechoic:  
 Revc= 7.200 Ohm  
 Fo= 38.266 Hz  
 Sd= 8.825K mm<sup>2</sup>  
 Vas= 26.320 Ltr  
 Cms= 2.380m M/N  
 Mmd= 6.792 g  
 Mms= 7.269 g  
 BL= 5.772 TM  
 Qms= 1.930  
 Qes= 0.378  
 Qts= 0.316  
 Levc= 71.379u H  
 No= 0.378 %  
 SPLo= 87.988 dB  
 Xmax = 7.5mm (1 way with Arrestor)  
 Power = 30 watts nom.



 Alpair 10.2  
 no bezel cover  
 driver dimensions  
 drawn by did | 24 June 2011



 Alpair 10.2  
 with bezel cover  
 driver dimensions  
 drawn by did | 24 June 2011

