

Model No.: BC25TG15-04

Rev: 1

Product Line: Tymphany

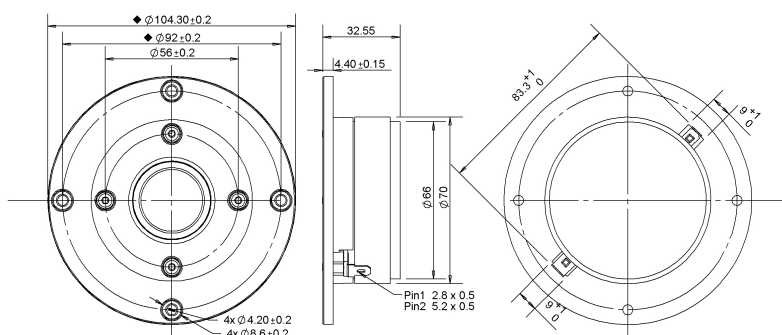
Last Update: 2017-04-25 14:32:09

Product Description

The BC family of tweeters features a damped fabric dome for smooth frequency response performance and ferrofluid in the gap of the ferrite magnet motor, providing enhanced cooling of the voice coil. BC tweeters come with a compact faceplate with recessed mounting holes, complete with sealing gasket which helps reduce vibration between baffle and driver.



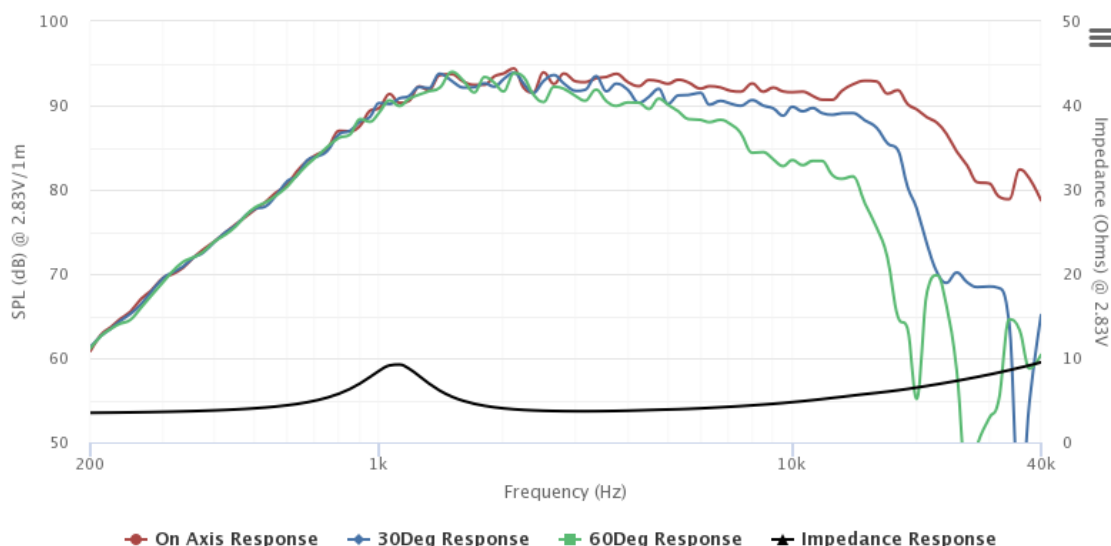
Mechanical Drawing



Specifications

DC Resistance	Revc	Ohms	2.99	5.0%	Energy Bandwidth Product	EBP	(1/Qes)*fs	896.11
Minimum Impedance	Zmin	Ohms	3.7	7.5%	Moving Mass	Mms	g	0.3
Voice Coil Inductance	Le	mH	0.02		Suspension Compliance	Cms	um/N	64.5
Resonant Frequency	Fs	Hz	1128.01	15%	Effective Cone diameter	D	cm	2.8
Mechanical Q Factor	Qms		2.54		Effective Piston Area	Sd	cm ²	6.2
Electrical Q Factor	Qes	1.26			Effective Volume	Vas	L	0
Total Q Factor	Qts	0.84			Motor Force Factor	BL	Tm	2.28
Ratio Fs/Qts	F	Fs/Qts	1338.08		Motor Efficiency Factor	β	(T ² M ²)/Ohms	1.7
Half Space Sensitivity @2.83V	db@2.83V/1M	dB	93.21	+/- 1.0db	Voice coil former Material	VCfm		ASV
Half Space Sensitivity @1W/1M	db@1W/1M	dB	89.8	+/- 1.0db	Voice coil inner diameter	VCd	mm	25.4
Gap Height	Gh	mm	3		Rated Noise Power	P	W	50
Maximum Linear Excursion	Xmax	mm	0.6		Test Spectrum Bandwidth		1.1kHz - 20kHz	
Ferrofluid Type	FF		APG027		Driver Size	Inch	25 mm	
Driver Mass	Kg	0.5						

Frequency and Impedance Response



Highcharts.com