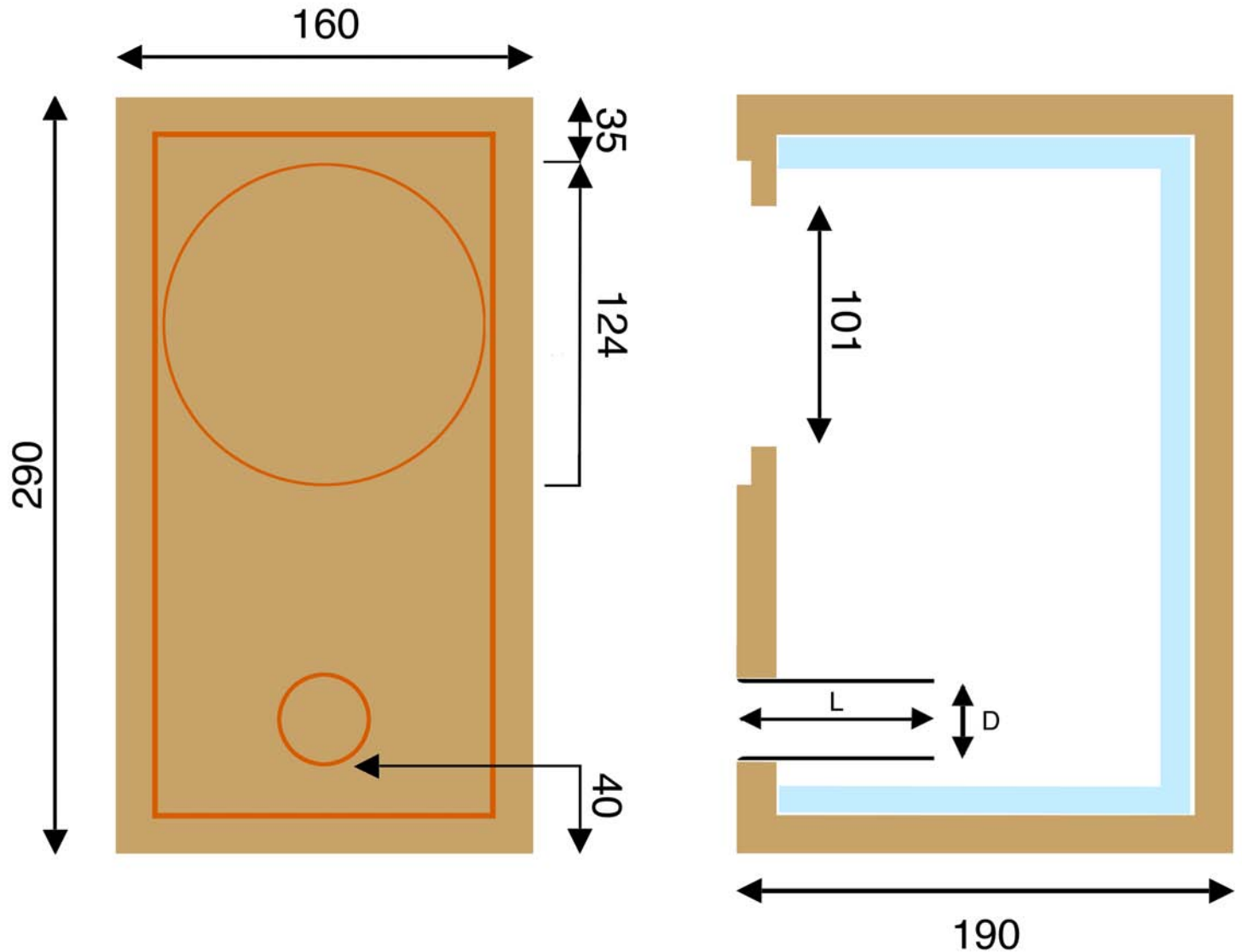


M CHR-70 till 70

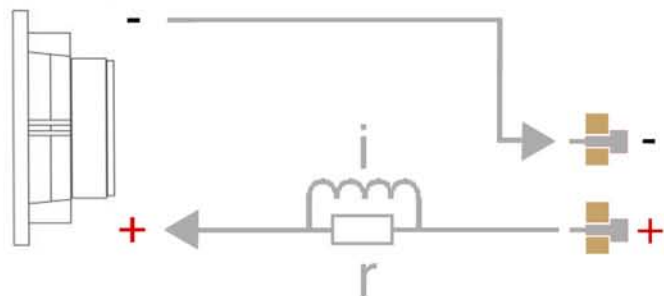
A simple 6.4 litre bass reflex bookshelf design using Markaudio's CHR-70 full range driver.

- Use 15mm MDF or marine ply.
- Add 15mm or thicker sound damping material to get your sound you like.
- Try adding a simple filter, experiment by starting with a 0.50-mH inductor and 10W 40hm resistor.
- Add a port, 40mm diameter x 144mm long for a frequency of 58Hz, F3 cut off 52Hz (-3db).

Have Fun!



Wired in series
with filter
i = inductor
r = resistor



©2009 Markaudio, a trading name of Markimage Limited. All rights reserved.

For DIY build use only, No commercial use of this design is allowed without the written permission of Markimage Limited.

Markimage Ltd., Unit F, Floor 8, Yip Cheung Centre, 10 Fung Yip Street, Chai Wan, Hong Kong

tel : +852 2575 0232 | fax : +852 2575 0112 | email : support@markaudio.com