

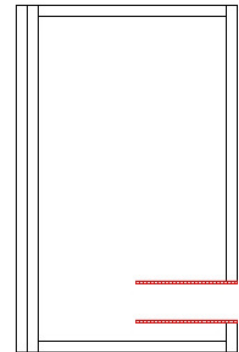
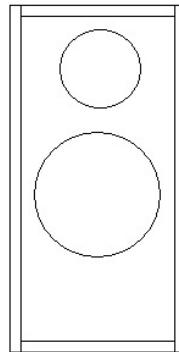
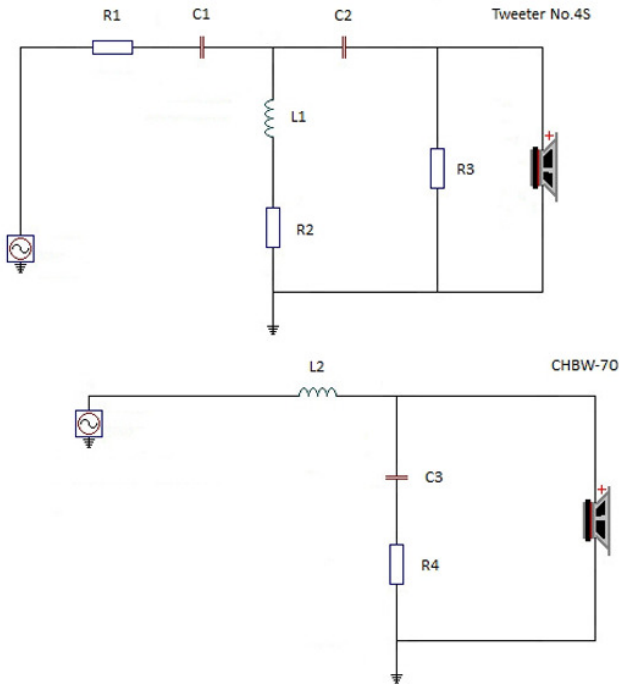
Prototype crossover for bookshelf Mark Audio CHBW-70 & Tweeter No.4S

High Pass:

- R1 = 2.2ohm
- C1 = 3.3uF
- L1 = 0.1mH (air core)
- R2 = 1ohm
- C2 = 2.2uF
- R3 = 10ohm

Low Pass:

- L2 = 1.5mH (lowest possible DCR)
- C3 = 4.7uF
- R4 = 1ohm



Cabinet *internal* dimensions:  
250mm x 150mm x 190mm (HxWxD)

Tweeter centre 45mm down from internal top  
CHBW centre 160mm down from internal top

Vent 35mm diameter x 120mm long. Centre 25mm up on rear panel. Location on rear panel may be changed if desired

Line top, back, bottom & sides with 12mm damping material  
-BAF, natural-fibre felt or similar

Fb = 52Hz nominal, lightly damped

Woofer + Tweeter System Response

