

Model No.: D19TD05-08  
 Product Line: Tymphany

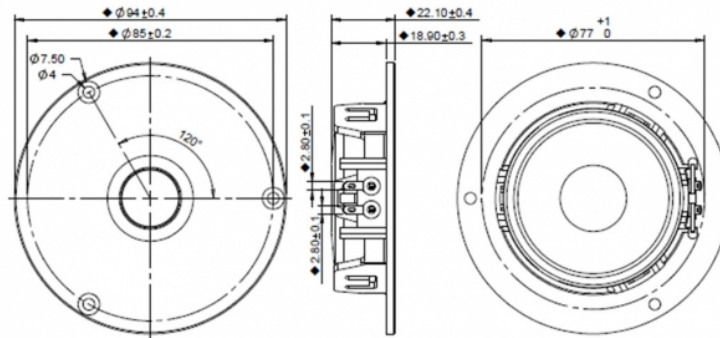
Rev: 1  
 Last Update: 2017-04-25 14:32:09

## Product Description

This D family tweeter features an 8ohm 19mm voice coil, a treated fabric dome, with a ferrite magnet and a ABS faceplate, and ferrofluid in the gap of the ferrite magnet motor, providing enhanced cooling of the voice coil. Is designed to be a high performance transducer.



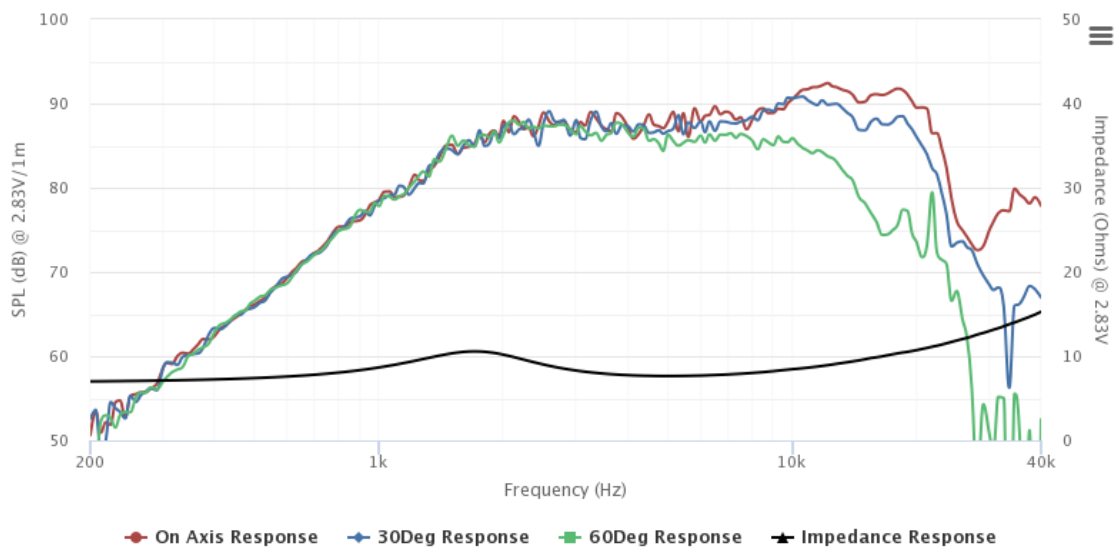
## Mechanical Drawing



## Specifications

|                               |             |        |         |           |                            |         |                               |
|-------------------------------|-------------|--------|---------|-----------|----------------------------|---------|-------------------------------|
| DC Resistance                 | Revc        | Ohms   | 6.33    | 5.0%      | Energy Bandwidth Product   | EBP     | $(1/Q_{es}) \cdot f_s$        |
| Minimum Impedance             | Zmin        | Ohms   | 7.64    | 7.5%      | Moving Mass                | Mms     | g                             |
| Voice Coil Inductance         | Le          | mH     | 0.02    |           | Suspension Compliance      | Cms     | um/N                          |
| Resonant Frequency            | Fs          | Hz     | 1687.93 | 15%       | Effective Cone diameter    | D       | cm                            |
| Mechanical Q Factor           | Qms         |        | 1.08    |           | Effective Piston Area      | Sd      | cm <sup>2</sup>               |
| Electrical Q Factor           | Qes         |        | 1.94    |           | Effective Volume           | Vas     | L                             |
| Total Q Factor                | Qts         |        | 0.69    |           | Motor Force Factor         | BL      | Tm                            |
| Ratio Fs/Qts                  | F           | Fs/Qts | 2432.18 |           | Motor Efficiency Factor    | $\beta$ | $(T \cdot M^2) / \text{Ohms}$ |
| Half Space Sensitivity @2.83V | db@2.83V/1M | dB     | 87.74   | +/- 1.0db | Voice coil former Material | VCfm    | ASV                           |
| Half Space Sensitivity @1W/1M | db@1W/1M    | dB     | 87.5    | +/- 1.0db | Voice coil inner diameter  | VCd     | mm                            |
| Gap Height                    | Gh          | mm     | 2       |           | Rated Noise Power          | P       | W                             |
| Maximum Linear Excursion      | Xmax        | mm     | 0.4     |           | Test Spectrum Bandwidth    |         | 1KHz-20KHz                    |
| Ferrofluid Type               | FF          |        | APG087  |           | Driver Size                | Inch    | 19 mm                         |
| Driver Mass                   | Kg          |        | 0.28    |           |                            |         |                               |

## Frequency and Impedance Response



Highcharts.com