

Model No: GBS-135F25AL02-04
 Product Line: Tymphany

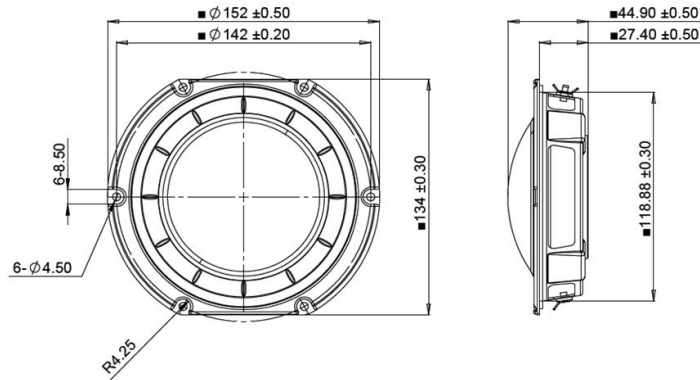
Rev: 1
 Last Update: 2015-10-12 23:45:53

Product Description

This 5.25 inch 4 ohm transducer member of the GBS family provides a very slim woofer capable of large excursion. An anodized Al cone helps to extend the piston bands in the working range. A highly optimized ferrite magnet and unique suspension layout combine to give a cost effective solution in a previously unavailable package.



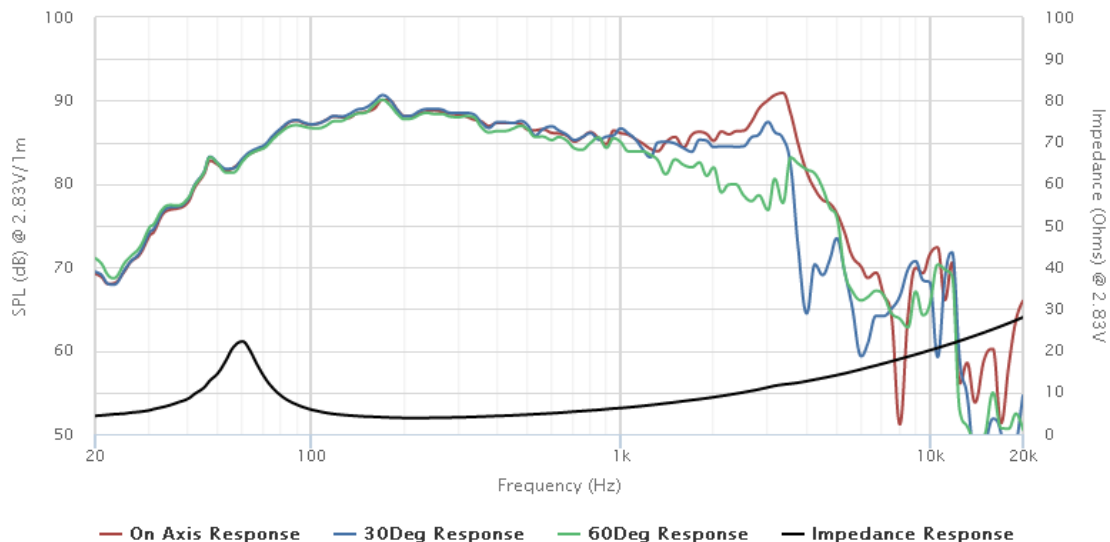
Mechanical Drawing



Specifications

DC Resistance	Revc	Ohms	3.28	5.0%	Energy Bandwidth Product	EBP	(1/Qes)*fs
Minimum Impedance	Zmin	Ohms	3.88	7.5%	Moving Mass	Mms	g
Voice Coil Inductance	Le	mH	0.21		Suspension Compliance	Cms	um/N
Resonant Frequency	Fs	Hz	62.97	15%	Effective Cone diameter	D	cm
Mechanical Q Factor	Qms		4.12		Effective Piston Area	Sd	cm ²
Electrical Q Factor	Qes		0.66		Effective Volume	Vas	L
Total Q Factor	Qts		0.57		Motor Force Factor	BL	Tm
Ratio Fs/Qts	F	Fs/Qts	110.47		Motor Efficiency Factor	β	(T*M ²)/Ohms
Half Space Sensitivity @2.83V	db@2.83V/1M	dB	88.45	+/- 1.0db	Voice coil former Material	VCfm	ASV
Half Space Sensitivity @1W/1M	db@1W/1M	dB	85.3	+/- 1.0db	Voice coil inner diameter	VCd	mm
Gap Height	Gh	mm	6		Rated Noise Power	P	W
Maximum Linear Excursion	Xmax	mm	3.3		Test Spectrum Bandwidth		50Hz-20kHz
Ferrofluid Type	FF				Transducer Size	Inch	5.25 in
Transducer Mass	Kg		0.8				

Frequency and Impedance Response



Highcharts.com