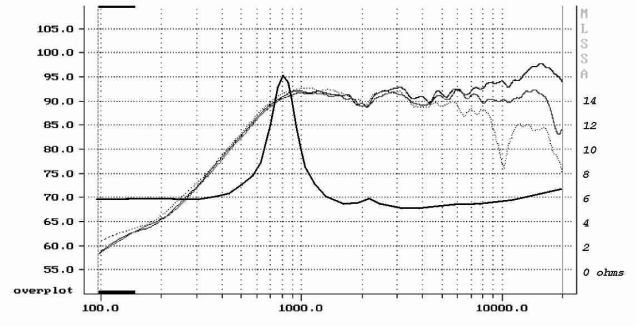
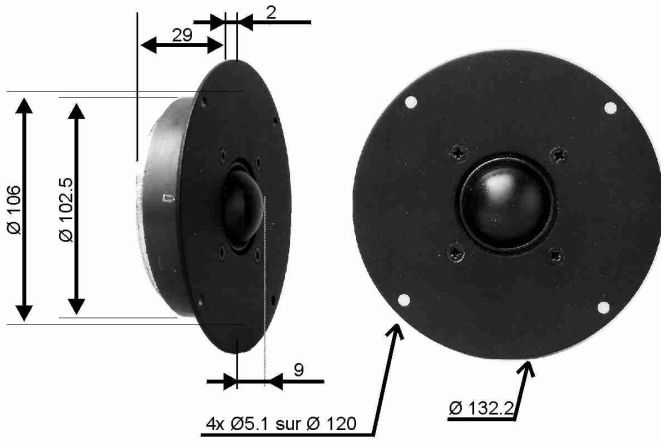


Very efficiency and high power capacity  
Impregnated textile dome  
Solid aluminium face plate



Nominal impedance . . . 8 ohms	Voice coil diam. . . . . 34 mm
Resonance . . . . . 800 Hz	Voice coil length . . . . . 2.5 mm
Power handling (IEC) . . . . . 70 W	Former . . . . . aluminium
Sensitivity (2.83V/1m) . . . . . 93.0 dB	Layer(s) . . . . . 1
Resistance (DC) . . . . . 5.3 ohms	Cone material . . . coated textile
Inductance . . . . . 0.006 mH	Chassis . . . . . aluminium
Xmax . . . . . ± 0.25 mm	Total mass . . . . . 1.18 kg

Replaceable voice coil assembly : RW034X0

