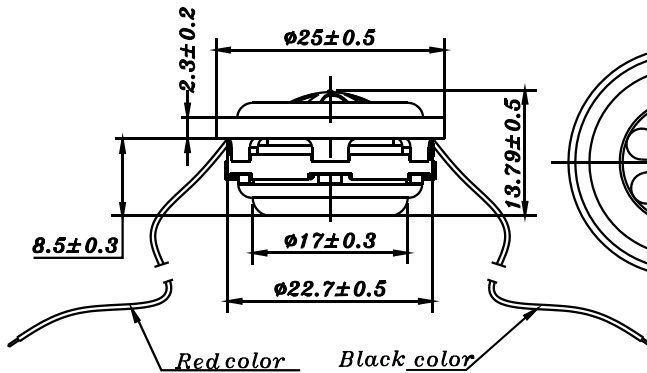


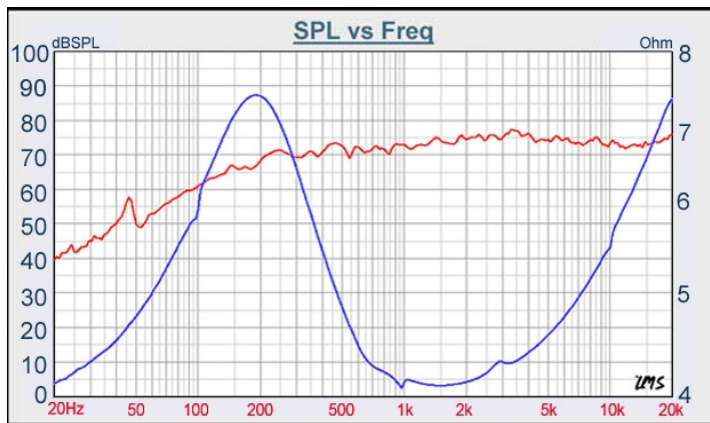
F SERIES

W1-1925S



- FULL RANGE SPEAKER DESIGN
- OUTSIDE DIAMETER OF 25mm, Fo:200Hz
- PP CONE WITH SANTOPRENE SURROUND
- NEODYMIUM MOTOR SYSTEM
- THE BEST CONSISTENCY, THE HIGHEST C/P VALUE
- IT'S GOOD FOR MULTIMEDIA APPLICATION

1" PP CONE, FULL RANGE



DIAPHRAGM MTL	Mineral filled pp
SURROUND MTL	Santoprene
NOMINAL IMPEDANCE	4 Ω
DCR IMPEDANCE	3.5 Ω
SENSITIVITY 1W/1m	73 dB
FREQUENCY RESPONSE	200 -20K Hz
FREE AIR RESONANCE	200 Hz
VOICE COIL DIAMETER	13.28 mm
AIR GAP HEIGHT	1.5 mm
RATED POWER INPUT	2 W
MAXIMUM POWER INPUT	4 W
FORCE FACTOR, BL	1.47 TM
MAGNET WEIGHT (oz)	Neodymium
MOVING MASS	0.34 g
FERROFLUID ENHANCED	No
SUSPENSION COMPLIANCE	201 μMN^{-1}
EFFECTIVE PISTON AREA	0.00023 M^2
Levc	0.015 mH
Zo	7.50 ohm
X-max	0.75 mm
Vas	0.015 Litr
Qts	0.35
Qms	0.74
Qes	0.68

TB SPEAKERS

VOICE:886.2.26570282 FAX:886.2.26580166
E-MAIL :info@tb-speaker.com