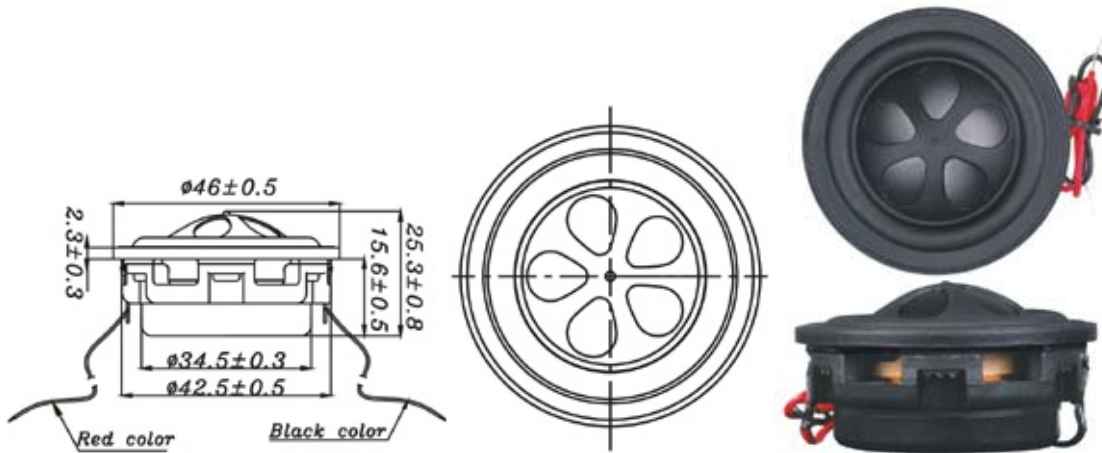


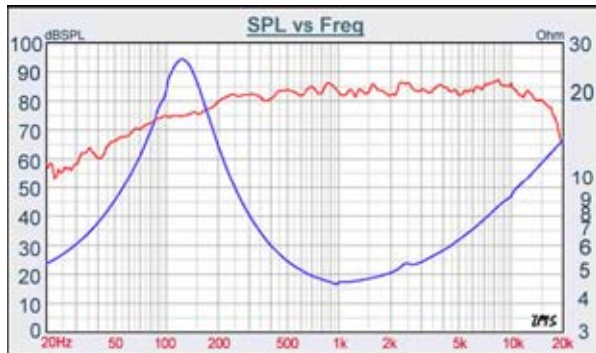
F SERIES

W1-1942S



1" PP CONE, FULL RANGE

- THE HIGHEST PERFORMANCE OF INNOVATIVE, TINY FULL RANGE DRIVER DESIGN
- OUTSIDE DIAMETER OF 46mm, Fo:120Hz
- PP CONE WITH SANTOPRENE SURROUND
- NEODYMIUM MOTOR SYSTEM
- PATENTED PRODUCT WITH EXCELLENT CONSISTENCY
- IT'S GOOD FOR MULTIMEDIA APPLICATION



| | |
|----------------------|------------------------|
| DIAPHRAGM MTL | Mineral filled pp |
| SURROUND MTL | Santoprene |
| NOMINAL IMPEDANCE | 4 Ω |
| DCR IMPEDANCE | 3.5 Ω |
| SENSITIVITY 1W/1m | 82 dB |
| FREQUENCY RESPONSE | 120-20K Hz |
| FREE AIR RESONANCE | 120 Hz |
| VOICE COIL DIAMETER | 28 mm |
| AIR GAP HEIGHT | 2.5 mm |
| RATED POWER INPUT | 4 W |
| MAXIMUM POWER INPUT | 8 W |
| FORCE FACTOR, BL | 3.49 TM |
| MAGNET WEIGHT (oz) | Neodymium |
| MOVING MASS | 1.25 g |
| FERRO FLUID ENHANCED | Yes |
| SUSPENSION COMPL. | 1373 uMN ⁻¹ |
| EFFEC.PISTON AREA | 0.00090 M ² |
| Levc | 0.046 mH |
| Zo | 27 ohm |
| X-max | 1.3 mm |
| Vas | 0.158 Litr. |
| Qts | 0.24 |
| Qms | 1.79 |
| Qes | 0.27 |



VOICE:886.2.26570282 FAX:886.2.26580166
E-MAIL :info@tb-speaker.com

CLOSE