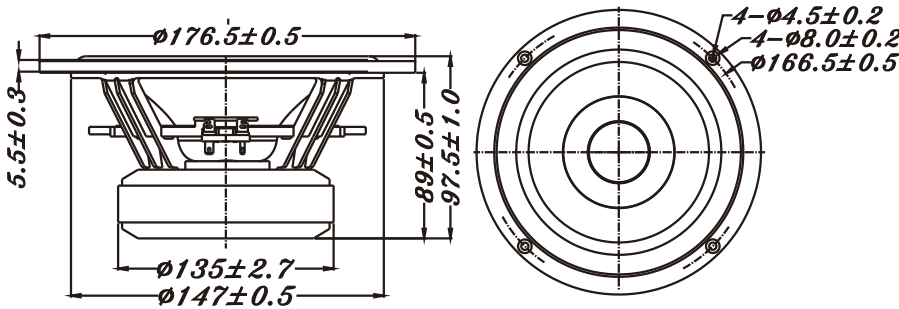


F SERIES

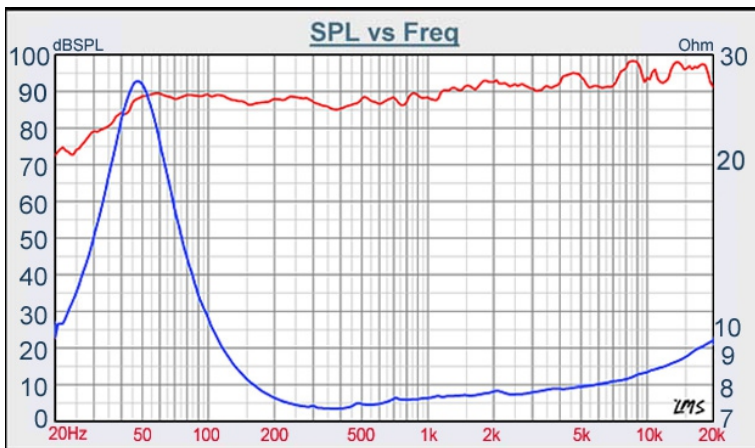
W6-2144



- 6.5" OF FULL RANGE SPEAKER DESIGN
- FERRITE MAGNET, UNDERHUNG DESIGN, ALUMINUM PHASE PLUG
- UNDERHUNG MOTOR STRUCTURE
- VERY LOW THD (2nd AND 3rd HARMONIC DISTORTION)
- SPL=89dB/M/W, QTS=0.45
- BAMBOO FIBER PAPER CONE WITH DURABLE

6.5" PAPER FULL RANGE

DIAPHRAGM MTL	Paper
SURROUND MTL	Structured Santoprene
NOMINAL IMPEDANCE	8 Ω
DCR IMPEDANCE	6.8 Ω
SENSITIVITY 1W/1m	89 dB
FREQUENCY RESPONSE	45 - 20K Hz
FREE AIR RESONANCE	45 Hz
VOICE COIL DIAMETER	38.5 mm
AIR GAP HEIGHT	10 mm
RATED POWER INPUT	35 W
MAXIMUM POWER INPUT	70 W
FORCE FACTOR, BL	5.45 TM
TYPE OF MAGNET	Ferrite
MOVING MASS	8.98 g
FERROFLUID ENHANCED	No
SUSPENSION COMPLIANCE	1243 μMN^{-1}
EFFECTIVE PISTON AREA	0.014 M^2
Levc	0.010 mH
Zo	28 ohm
X-max	3.0 mm
Vas	34.60 Litr
Qts	0.45
Qms	1.73
Qes	0.62



TB SPEAKERS

VOICE:886.2.26570282 FAX:886.2.26580166
E-MAIL :info@tb-speaker.com