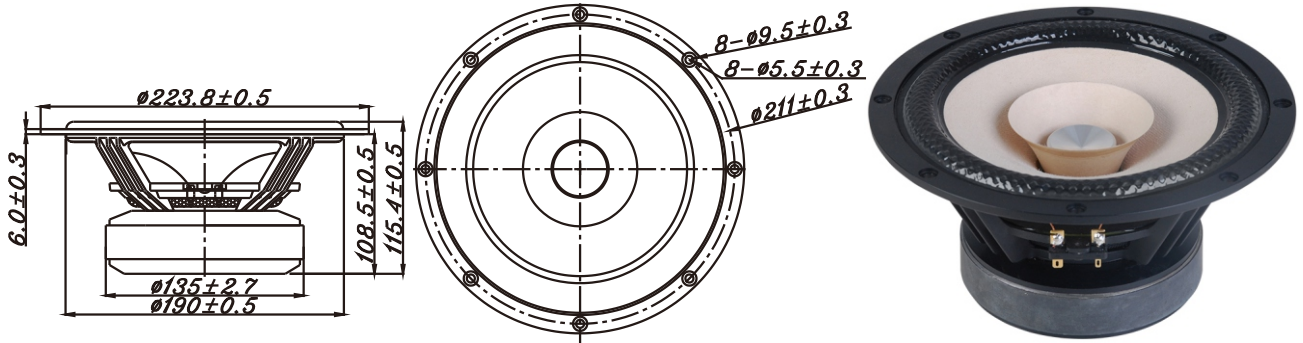


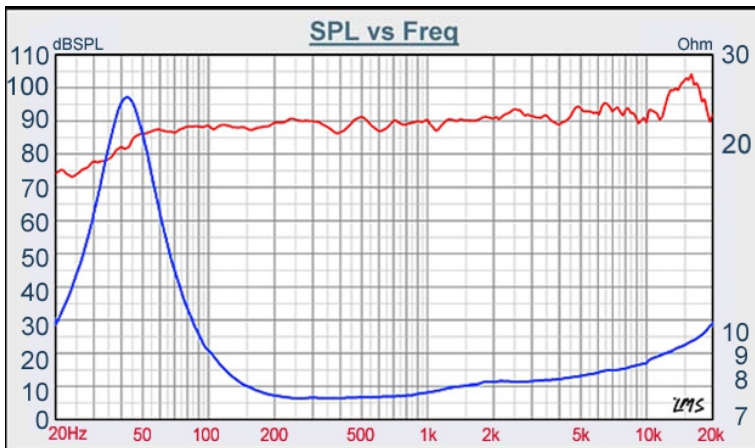
F SERIES

W8-2145



- 8" OF FULL RANGE SPEAKER DESIGN
- FERRITE MAGNET, UNDERHUNG DESIGN, ALUMINUM PHASE PLUG
- UNDERHUNG MOTOR STRUCTURE
- VERY LOW THD (2nd AND 3rd HARMONIC DISTORTION)
- SPL=90dB/M/W, QTS=0.45
- BAMBOO FIBER PAPER CONE WITH DURABLE

8" PAPER FULL RANGE



| | |
|-----------------------|--------------------------|
| DIAPHRAGM MTL | Paper |
| SURROUND MTL | Structured Santoprene |
| NOMINAL IMPEDANCE | 8 Ω |
| DCR IMPEDANCE | 6.8 Ω |
| SENSITIVITY 1W/1m | 90 dB |
| FREQUENCY RESPONSE | 40 - 20K Hz |
| FREE AIR RESONANCE | 40 Hz |
| VOICE COIL DIAMETER | 38.5 mm |
| AIR GAP HEIGHT | 10 mm |
| RATED POWER INPUT | 40 W |
| MAXIMUM POWER INPUT | 80 W |
| FORCE FACTOR, BL | 6.59 TM |
| TYPE OF MAGNET | Ferrite |
| MOVING MASS | 14.97 g |
| FERROFLUID ENHANCED | No |
| SUSPENSION COMPLIANCE | 984.64 μMN ⁻¹ |
| EFFECTIVE PISTON AREA | 0.022 M ² |
| Levc | 0.011 mH |
| Zo | 26 ohm |
| X-max | 3.0 mm |
| Vas | 67.67 Litr |
| Qts | 0.45 |
| Qms | 1.65 |
| Qes | 0.61 |



VOICE:886.2.26570282 FAX:886.2.26580166
E-MAIL :info@tb-speaker.com